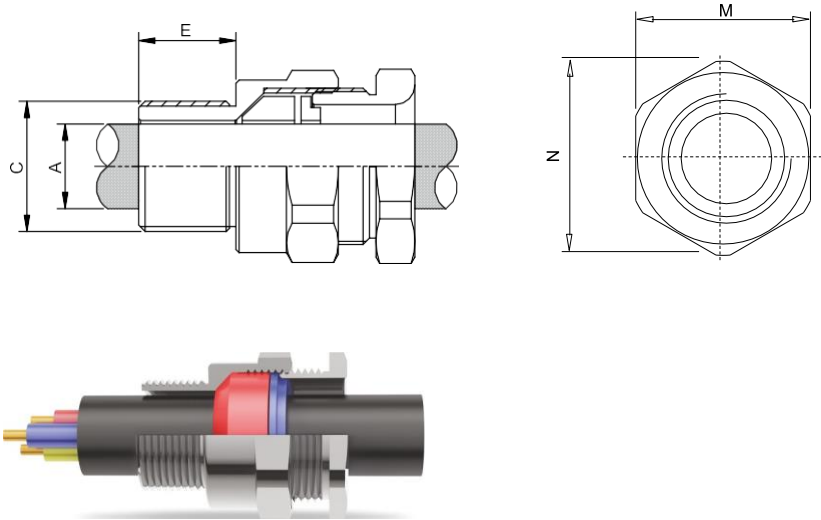


# A2F Type Single Compression Cable Gland

## MM-EX-A2F-32 3N B2 (1" NPT )



### CABLE GLAND SIZE DETAILS

<b>Type</b>	A2F Type Single Compression Cable Gland	<b>CODE</b>	MM-EX-A2F-32 3N B2 (1" NPT )
<b>Cable Types</b>	Unarmoured	<b>CABLE GALND SIZE</b>	32
<b>Application</b>	For indoor and outdoor use with all types of unarmoured cable where it is essential to provide IP66 or IP68 protection on the outer sheath of cable for circular, Unarmoured plastic or rubber sheathed cables.	<b>ENTRT THREAD "C"</b>	
<b>Option thread</b>	NPT	<b>NPT</b>	1"
<b>Gland Material</b>	Brass Nickle Plate (BNP)	<b>THREAD LEGTH "E"</b>	
<b>IP Rating</b>	IP66 & IP68	<b>NPT</b>	26
<b>Gas Group</b>	II C	<b>CABLE DIAMETER "A"</b>	
<b>EPL (Equipment Protection Level)</b>	Zone 1, Zone 2 Gb, Gc, Gas Zone 21, Zone 22, Db, Dc Dust	<b>MIN</b>	17.1
<b>Sealing Ring</b>	Single Compression Sealing	<b>MAX</b>	26
<b>Operating Temperature</b>	Silicone Seals: IECEx/ATEX-55°C ≤ Ta ≤ +160°C EAC-60°C ≤ Ta ≤ +130°C	<b>HEX SIZE</b>	
<b>Finish</b>	Natural Brass or Nickel Plated	<b>M : MAX</b>	42
<b>Accessories</b>	PVC Shroud, Lock Nut, Earth Tag, Serrated Washer, Adaptor / Reducer	<b>N : MAX</b>	46
<b>IECEx Certificate No.</b>	ECEX PRE 20.0124X		

**ATEX Certificate No.** Presafe 20 ATEX 48906X  
**EAC Certificate No.** RU C-IN.AA71.B.00212/20  
**PESO Certificate No.** P538496/4  
**Protection Type** Ex d, Ex e, Ex t

---

- \* Degrees of protection (IP Code) : IP66 / IP68 (1.5 meter, 2 Hours)
- \* All the dimensions given are in Millimeters (mm)
- \* Can be also provided in Kit Packing as per requirement