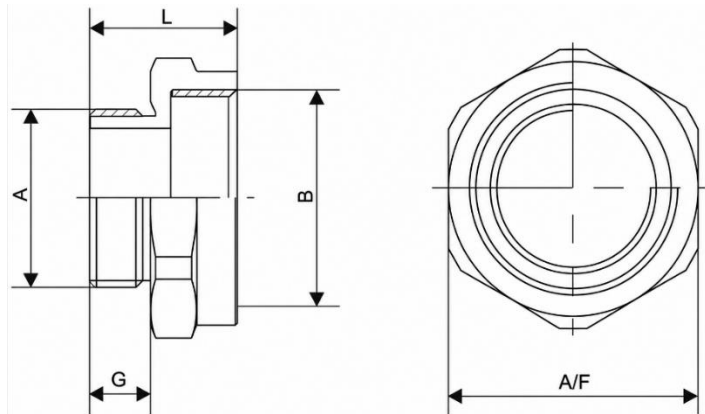


# Adaptor

## NPT to NPT



### MM-EX-AD3N4N B2 (1"NPT to 1 1/4"NPT)



#### Reducer

<b>IP Rating</b>	IP68
<b>IECEX Certificate No.</b>	IECEX PRE 20.0123X
<b>ATEX Certificate No.</b>	Presafe 20 ATEX 24571X
<b>EAC Certificate No.</b>	RU C-IN.AA71.B.00212/20
<b>PESO Certificate No.</b>	P538496/2
<b>Thread Type</b>	NPT to NPT
<b>Protection Type</b>	Ex d, Ex e, Ex t
<b>Material</b>	Brass Nickle Plated (BNP)
<b>Ambient Temperature</b>	IECEX/ATEX-55°C ≤ Ta ≤ +160°C EAC-60°C ≤ Ta ≤ +130°C

#### NPT to NPT Thread

---

<b>CODE</b>	MM-EX-AD3N4N B2 (1"NPT to 1 1/4"NPT)
<b>A</b>	1"
<b>B</b>	1 1/4"
<b>L</b>	51
<b>A/F</b>	26
<b>G</b>	45

\* Degrees of protection (IP Code) : IP66 / IP68 (1.5 meter, 2 Hours)