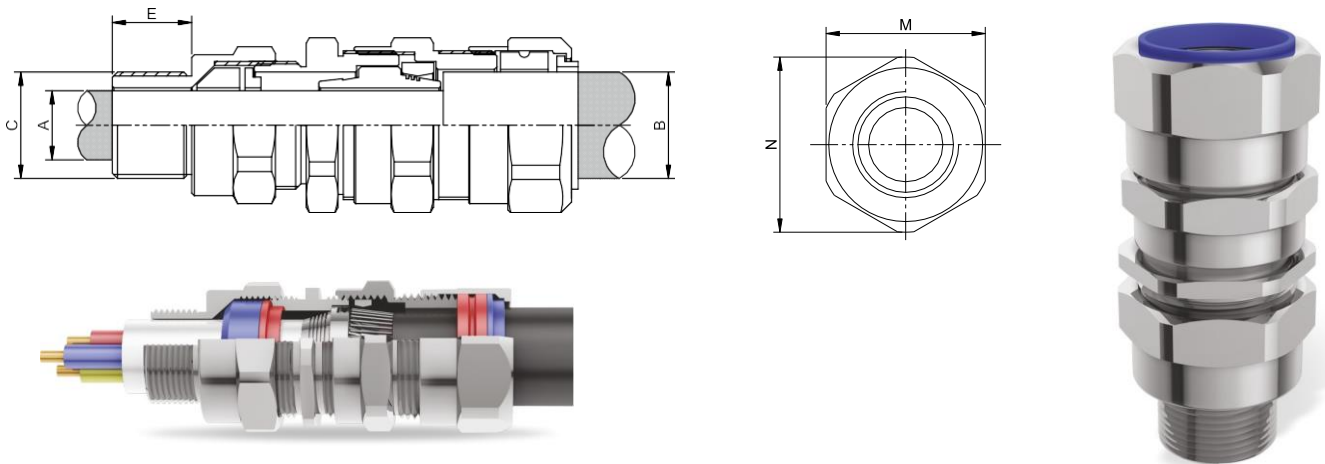


E1FUNV Double Compression Cable Gland

MM-EX-E1FUNV-20S 1N X6 (1/2"NPT)



Double Compression Cable Gland For Armoured Cables

CABLE GLAND SIZE DETAILS

Type	E1FUNV Double Compression Cable Gland
Cable Types	For all type of IEC Armoured Cables
Application	Provides a flameproof (Type "D") seal on the cable inner bedding. Allows mechanical cable retention and earth continuity via the cable armor termination. Reversible armour cone and clamping ring arrangement facilitates remote make off and off and enables the cable to be disconnected from the equipment. Stepped cone is suitable for SWA cables. Grooved cone is suitable for all other approved armored cables.
Option thread	NPT
Gland Material	Stainless Steel (SS316L)
IP Rating	IP66 & IP68
Gas Group	II C
EPL (Equipment Protection Level)	Zone 1, Zone 2 Gb, Gc, Gas Zone 21, Zone 22, Db, Dc Dust
Sealing Ring	Double Compression Sealing (Sealing on both outer and inner sheath)

CODE	MM-EX-E1FUNV-20S 1N X6 (1/2"NPT)
CABLE GLAND SIZE	20S
ENTRY THREAD "C"	
NPT	1/2"
THREAD LEGTH "E"	
NPT	17
CABLE DIAMETER "A"	
MIN	9.6
MAX	15.5
HEX SIZE	
M : MAX	25
N : MAX	27.5

Operating Temperature	Silicone Seals: IECEx/ATEX-55°C ≤ Ta ≤ +160°C EAC-60°C ≤ Ta ≤ +130°C
Finish	Natural Brass or Nickel Plated
Accessories	PVC Shroud, Lock Nut, Earth Tag, Serrated Washer, Adaptor / Reducer
IECEX Certificate No.	IECEX PRE 20.0124X
ATEX Certificate No.	Presafe 20 ATEX 48906X
EAC Certificate No.	RU C-IN.AA71.B.00212/20
PESO Certificate No.	P538496/5
Protection Type	Ex d, Ex e, Ex t

-
- * Degrees of protection (IP Code) : IP66 / IP68 (1.5 meter, 2 Hours)
 - * All the dimensions given are in Millimeters (mm)
 - * Can be also provided in Kit Packing as per requirement