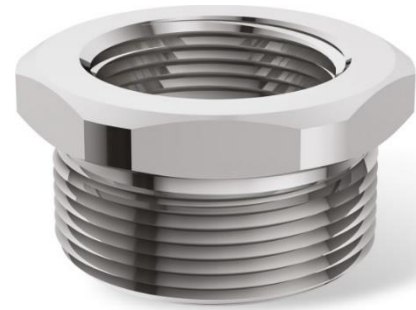
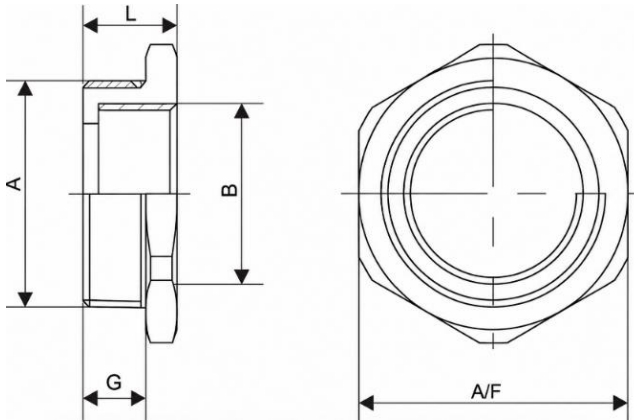


Reducer

Metric to Metric Thread



MM-EX-RD1M0M B2 (M20 to M16)



Reducer

IP Rating	IP68
IECEX Certificate No.	IECEX PRE 20.0123X
ATEX Certificate No.	Presafe 20 ATEX 24571X
EAC Certificate No.	RU C-IN.AA71.B.00212/20
PESO Certificate No.	P538496/1
Thread Type	Metric to Metric
Protection Type	Ex d, Ex e, Ex t
Material	Brass Nickle Plated (BNP)
Ambient Temperature	IECEX/ATEX-55°C ≤ Ta ≤ +160°C EAC-60°C ≤ Ta ≤ +130°C

Metric to Metric Thread

CODE	MM-EX-RD1M0M B2 (M20 to M16)
A	M20X1.5
B	M16X1.5
L	22
A/F	25
G	16

* Degrees of protection (IP Code) : IP66 / IP68 (1.5 meter, 2 Hours)