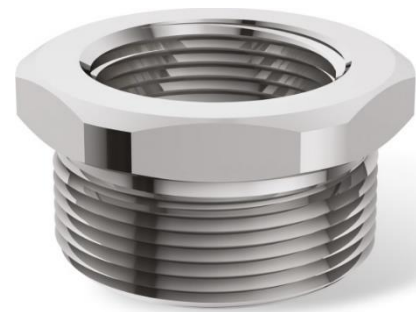


Reducer

NPT to Metric Thread



MM-EX-RD1N0M X6 (1/2"NPT to M16)



Reducer

IP Rating	IP68
IECEX Certificate No.	IECEX PRE 20.0123X
ATEX Certificate No.	Presafe 20 ATEX 24571X
EAC Certificate No.	RU C-IN.AA71.B.00212/20
PESO Certificate No.	P538496/1
Thread Type	NPT to Metric
Protection Type	Ex d, Ex e, Ex t
Material	Stainless Steel (SS316L)
Ambient Temperature	IECEX/ATEX-55°C ≤ Ta ≤ +160°C EAC-60°C ≤ Ta ≤ +130°C

NPT to Metric Thread

CODE	MM-EX-RD1N0M X6 (1/2"NPT to M16)
A	1/2"
B	M16X1.5
L	27
A/F	25
G	21

* Degrees of protection (IP Code) : IP66 / IP68 (1.5 meter, 2 Hours)