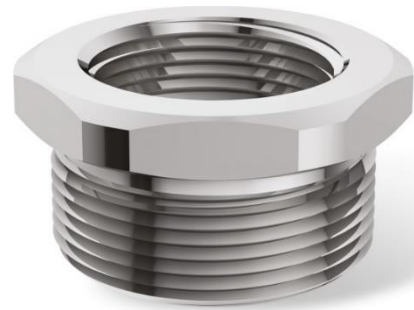
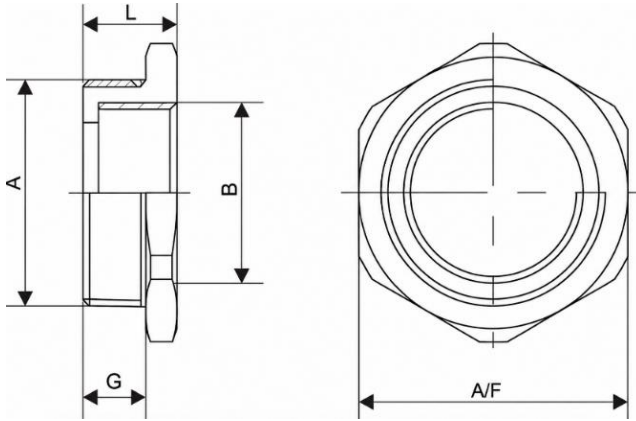


Reducer

NPT to Metric Thread



MM-EX-RD2N0M B2 (3/4"NPT to M16)



Reducer

IP Rating	IP68
IECEx Certificate No.	IECEx PRE 20.0123X
ATEX Certificate No.	Presafe 20 ATEX 24571X
EAC Certificate No.	RU C-IN.AA71.B.00212/20
PESO Certificate No.	P538496/1
Thread Type	NPT to Metric
Protection Type	Ex d, Ex e, Ex t
Material	Brass Nickle Plated (BNP)
Ambient Temperature	IECEx/ATEX-55°C ≤ Ta ≤ +160°C EAC-60°C ≤ Ta ≤ +130°C

NPT to Metric Thread

CODE	MM-EX-RD2N0M B2 (3/4"NPT to M16)
A	3/4"
B	M16X1.5
L	27
A/F	30
G	21

* Degrees of protection (IP Code) : IP66 / IP68 (1.5 meter, 2 Hours)