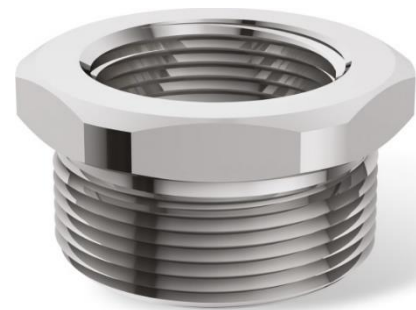
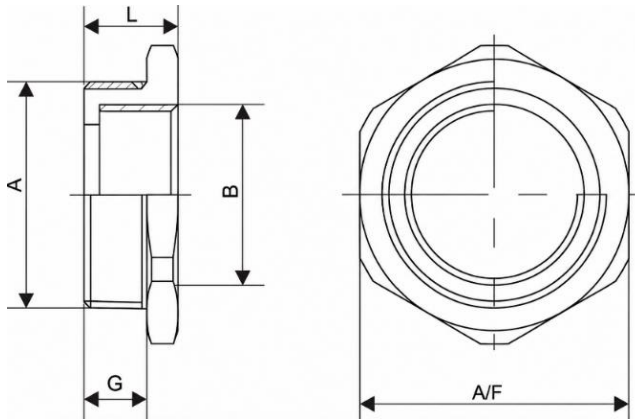


Reducer

NPT to Metric Thread



MM-EX-RD6N5M B2 (2"NPT to M50)



Reducer

| | |
|------------------------------|---|
| IP Rating | IP68 |
| IECEX Certificate No. | IECEX PRE 20.0123X |
| ATEX Certificate No. | Presafe 20 ATEX 24571X |
| EAC Certificate No. | RU C-IN.AA71.B.00212/20 |
| PESO Certificate No. | P538496/1 |
| Thread Type | NPT to Metric |
| Protection Type | Ex d, Ex e, Ex t |
| Material | Brass Nickle Plated (BNP) |
| Ambient Temperature | IECEX/ATEX-55°C ≤ Ta ≤ +160°C EAC-60°C ≤ Ta ≤ +130°C |

NPT to Metric Thread

| | |
|-------------|--------------------------------|
| CODE | MM-EX-RD6N5M B2 (2"NPT to M50) |
| A | 2" |
| B | M50X1.5 |
| L | 36 |
| A/F | 68 |
| G | 28 |

* Degrees of protection (IP Code) : IP66 / IP68 (1.5 meter, 2 Hours)